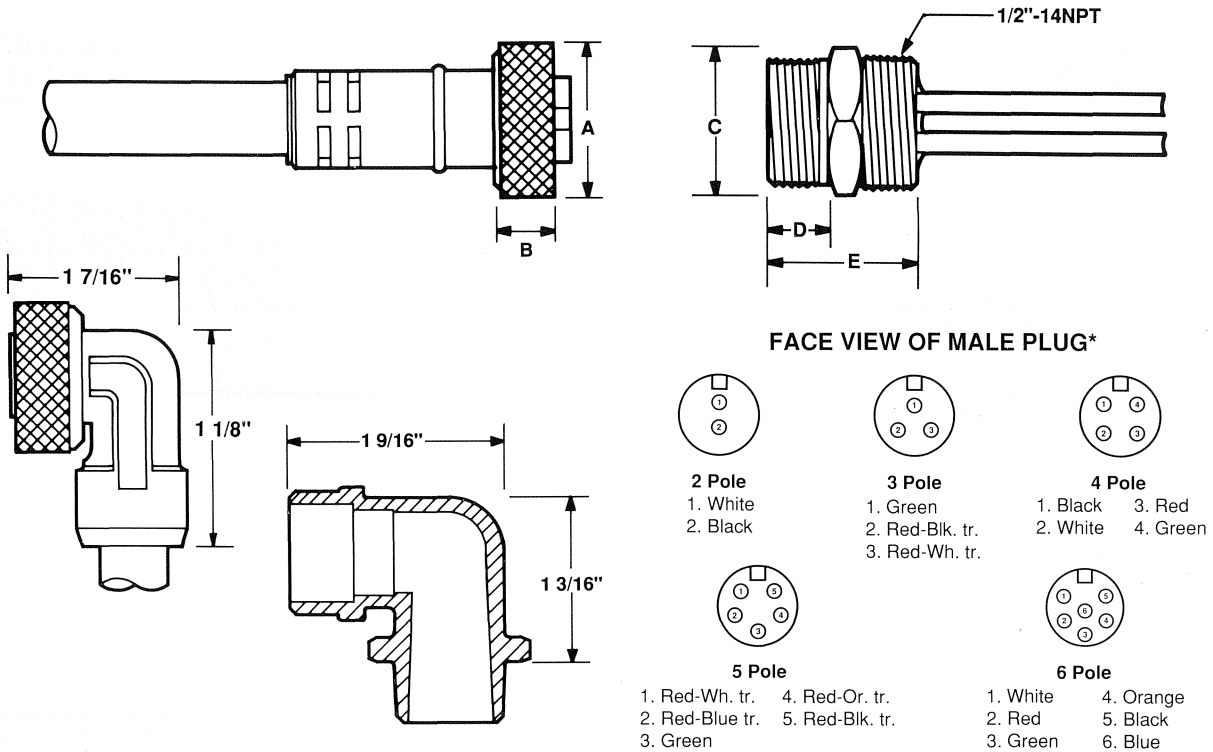


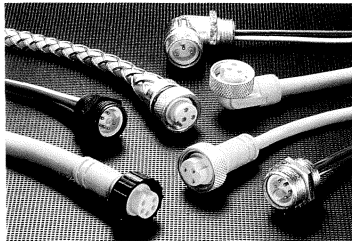
Dimensions



*Color coding for 3 pole receptacle: 1-Green, 2-Black, 3-White. Color coding for 5 pole receptacle: 1-White, 2-Red, 3-Green, 4-Orange, 5-Black.

Ordering Information

STYLE I With Metal Coupler and Receptacle Shell STOOW-A



ELECTRICAL DATA				PLUGS						RECEPTACLES							
No. of Contacts	Maximum Rating (Cable)		A (Dia.)	B	Length Feet	Straight Male	Straight Female	Male 90°	Female 90°	Male to Female Extensions	1/2" - 14NPT With 10" Leads						
	Amps.	AWG									Straight Male	Straight Female	Male 90°	Female 90°	C (Hex.)	D	E
2	13	16	1	3/8	3	5000108-6	5000108-3	5000108-14	5000108-11	5000108-25							
					6	5000108-7	5000108-4	5000108-15	5000108-12	5000108-26	5000108-10	5000108-9	5000108-18	5000108-17	1	3/8	1-1/32
					12	5000108-8	5000108-5	5000108-16	5000108-13	5000108-27							
3	13	16	1	3/8	3	5000109-6	5000109-3	5000109-14	5000109-11	5000109-25							
					6	5000109-7	5000109-4	5000109-15	5000109-12	5000109-26	5000109-10	5000109-9	5000109-18	5000109-17	1	3/8	1-1/32
					12	5000109-8	5000109-5	5000109-16	5000109-13	5000109-27							
4	10	16	1	3/8	3	5000110-6	5000110-3	5000110-14	5000110-11	5000110-25							
					6	5000110-7	5000110-4	5000110-15	5000110-12	5000110-26	5000110-10	5000110-9	5000110-18	5000110-17	1	3/8	1-1/32
					12	5000110-8	5000110-5	5000110-16	5000110-13	5000110-27							
5	8	16	1	3/8	3	5000111-6	5000111-3	5000111-14	5000111-11	5000111-25							
					6	5000111-7	5000111-4	5000111-15	5000111-12	5000111-26	5000111-10	5000111-9	5000111-18	5000111-17	1	3/8	1-1/32
					12	5000111-8	5000111-5	5000111-16	5000111-13	5000111-27							
6	6	18	1	3/8	3	5000120-6	5000120-3	5000120-14	5000120-11	5000120-25							
					6	5000120-7	5000120-4	5000120-15	5000120-12	5000120-26	5000120-10	5000120-9	5000120-18	5000120-17	1	3/8	1-1/32
					12	5000120-8	5000120-5	5000120-16	5000120-13	5000120-27							

Dimensions in inches as noted
600 Volts maximum rating

STYLE I options available:

Stainless steel hardware, add suffix "X" (e.g., 5000110-6X) – not available for 90° receptacle
Nylon hardware, add suffix "N" (e.g., 5000110-6N)
Wire mesh grip, add suffix "K" (e.g., 5000110-6K) – straight plugs only